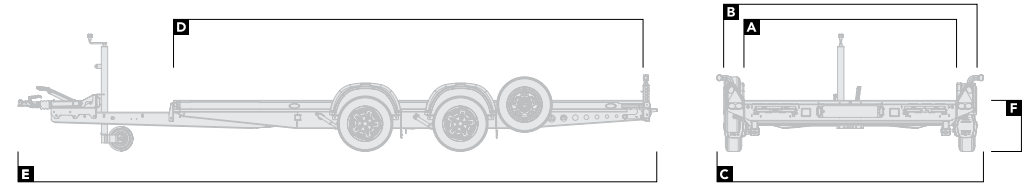


Trailer specifications

'24

A Transporter

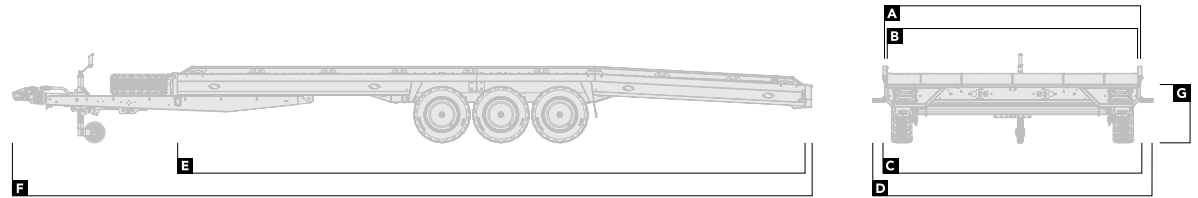
Overview



		125-1011	125-1111	125-1211	125-1312	125-2002	125-2112	125-2213	125-2223	125-2323	125-2324	125-2423	125-2424
DIMENSIONS		dimensions in metres											
Bed width	A	1.8	1.8	1.8	2.0	1.7	1.8	1.8	2.0	2.0	2.0	2.0	2.0
Overall width (excl. marker lamp)	B	2.18	2.18	2.18	2.38	2.08	2.18	2.18	2.18	2.38	2.38	2.38	2.38
Overall width (inc. marker lamp)	C	2.31	2.31	2.31	2.51	–	2.31	2.31	2.31	2.51	2.51	2.51	2.51
Bed length	D	2.7	3.2	3.7	4.0	3.3	3.7	4.0	4.0	4.5	4.5	5.0	5.0
Overall length	E	4.24	4.74	5.24	5.54	4.76	5.24	5.54	5.54	6.04	6.04	6.54	6.54
Bed height	F	0.42	0.42	0.42	0.42	0.42	0.42	0.42	0.42	0.42	0.42	0.42	0.42
CAPACITY		weight in kg											
Gross capacity		1,500	1,500	1,500	1,500	2,000	2,000	2,600	2,600	2,600	3,000	3,000	3,000
Load capacity		1,060	1,010	973	955	1,445	1,388	1,970	1,955	1,930	2,320	1,905	2,295

Load capacity will vary depending on options fitted - For accurate information on weights and pricing, use our interactive configurator at www.brianjamestrailers.co.uk

T Transporter



Overview

		231-	4520-30-2-10	4520-35-2-12	4521-35-3-10	4521-35-2-12	5021-35-3-10	5021-35-2-12	5021-35-3-12	5022-35-3-10	5022-35-2-12	5022-35-3-12
DIMENSIONS			dimensions in metres									
Bed width (excl. sides)	A	2.0	2.0	2.14	2.14	2.14	2.14	2.14	2.14	2.28	2.28	2.28
Bed width (inc. sides)	B	1.96	1.96	2.1	2.1	2.1	2.1	2.1	2.1	2.24	2.24	2.24
Overall width (excl. marker lamp)	C	2.04	2.04	2.18	2.18	2.18	2.18	2.18	2.18	2.32	2.32	2.32
Overall width (inc. marker lamp)	D	2.23	2.23	2.37	2.37	2.37	2.37	2.37	2.37	2.51	2.51	2.51
Bed length	E	4.52	4.52	4.52	4.52	5.02	5.02	5.02	5.02	5.02	5.02	5.02
Overall length	F	6.09	6.09	6.09	6.09	6.6	6.6	6.6	6.6	6.6	6.6	6.6
Bed height	G	0.59	0.65	0.59	0.65	0.59	0.65	0.65	0.65	0.59	0.65	0.65

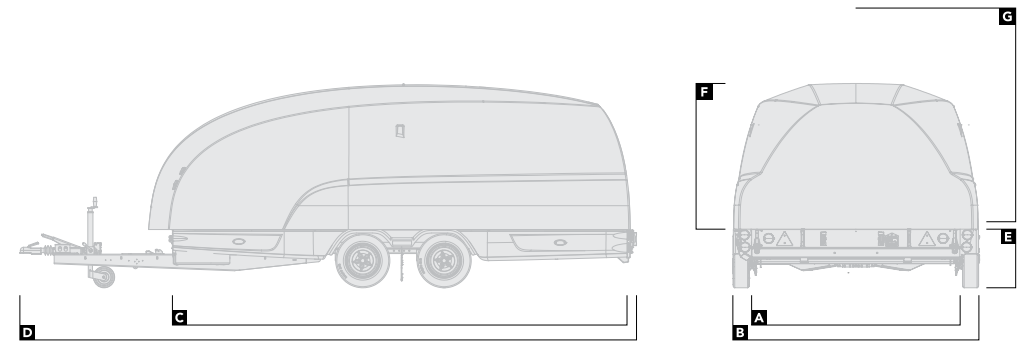
CAPACITY		weight in kg										
Gross capacity		3,000	3,500	3,500	3,500	3,500	3,500	3,500	3,500	3,500	3,500	3,500
Load capacity		2,212	2,677	2,607	2,662	2,545	2,605	2,540	2,540	2,535	2,585	2,530

		5521-35-3-10	5521-35-2-12	5521-35-3-12	5522-35-3-10	5522-35-2-12	5522-35-3-12	5523-35-3-12	6022-35-3-12	6023-35-3-12	
DIMENSIONS		dimensions in metres									
Bed width (excl. sides)	A	2.14	2.14	2.14	2.28	2.28	2.28	2.42	2.28	2.42	
Bed width (inc. sides)	B	2.1	2.1	2.1	2.24	2.24	2.24	2.38	2.24	2.38	
Overall width (excl. marker lamp)	C	2.18	2.18	2.18	2.32	2.32	2.32	2.46	2.32	2.46	
Overall width (inc. marker lamp)	D	2.37	2.37	2.37	2.51	2.51	2.51	2.65	2.51	2.65	
Bed length	E	5.52	5.52	5.52	5.52	5.52	5.52	5.52	6.02	6.02	
Overall length	F	7.1	7.1	7.1	7.1	7.1	7.1	7.1	7.6	7.6	
Bed height	G	0.59	0.65	0.65	0.59	0.65	0.65	0.65	0.65	0.65	

CAPACITY		weight in kg									
Gross capacity		3,500	3,500	3,500	3,500	3,500	3,500	3,500	3,500	3,500	3,500
Load capacity		2,605	2,575	2,515	2,490	2,550	2,480	2,450	2,450	2,420	2,420

Load capacity will vary depending on options fitted - For accurate information on weights and pricing, use our interactive configurator at www.brianjamestrailers.co.uk

Race Shuttle 2



Overview

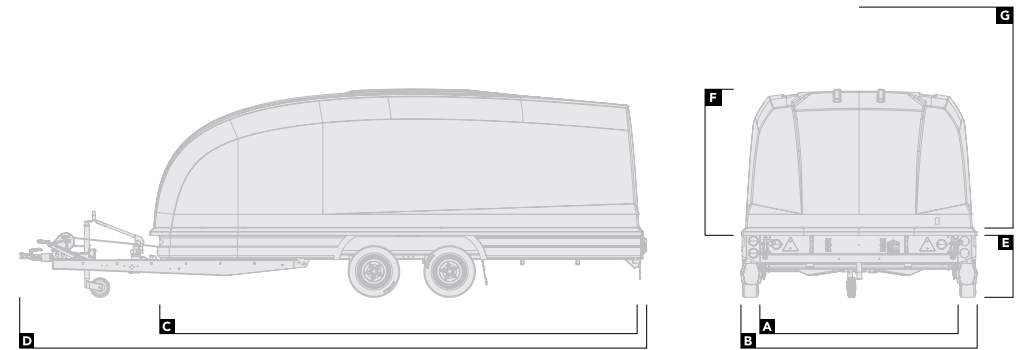
		300-1010	300-1011
DIMENSIONS		dimensions in metres	
Bed width	A	1.95	1.95
Overall width	B	2.31	2.31
Bed length	C	4.3	4.3
Overall length	D	5.82	5.82
Bed height	E	0.42	0.42
Internal height	F	1.53	1.53
Door aperture height	G	2.4	2.4
CAPACITY		weight in kg	
Gross capacity		2,600	2600
Load capacity		1,785	1,765

Load capacity will vary depending on options fitted - For accurate information on weights and pricing, use our interactive configurator at www.brianjamestrailers.co.uk

Equipment

		300-1010	300-1011
EXTERIOR		● Standard ○ Option – Not available	
	Full LED lighting	●	●
LOADING			
	Loading ramps - 2.5m	●	●
	Manual / Electric winch	○	○
	Manual tilt-bed	–	●
LOAD RESTRAINT			
	Tie-down straps	○	○
	Wheel chocks / Stop bar	○	○
RUNNING GEAR			
	Alloy wheels - Silver or Anthracite	○	○
	Locking hitch	●	●
	Spare wheel	●	●
STORAGE			
	Tyre rack	○	○

Race Shuttle 3



Overview

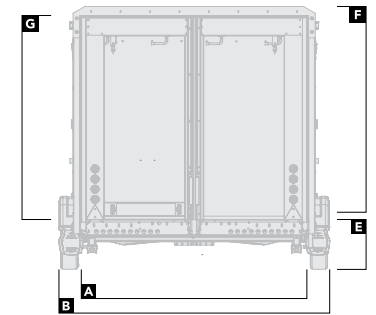
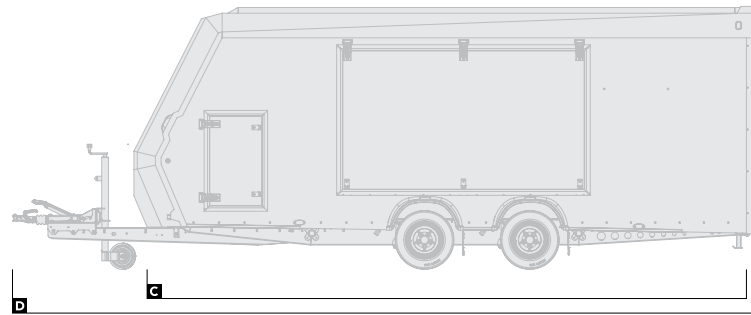
		330-1010	330-1011	330-1021
DIMENSIONS		dimensions in metres		
Bed width	A	1.95	1.95	1.95
Overall width	B	2.3	2.3	2.3
Bed length	C	4.7	4.7	4.7
Overall length	D	6.2	6.2	6.2
Bed height	E	0.43	0.42	0.42
Internal height	F	1.6	1.6	1.6
Door aperture height	G	2.5	2.5	2.5
CAPACITY		weight in kg		
Gross capacity		2,600	2,600	3,000
Load capacity		1,690	1,670	2,070

Load capacity will vary depending on options fitted -
For accurate information on weights and pricing, use our interactive configurator at www.brianjamestrailers.co.uk

Equipment

		330-1010	330-1011	330-1021
EXTERIOR		● Standard ○ Option – Not available		
	Full LED lighting	●	●	●
LOADING				
	Loading ramps - 2.5m	●	●	●
	Manual / Electric winch	○	○	○
	Manual tilt-bed	–	●	●
LOAD RESTRAINT				
	Tie-down straps	○	○	○
	Wheel chocks / Stop bar	○	○	○
RUNNING GEAR				
	Alloy wheels - Silver or Anthracite	○	○	○
	Locking hitch	●	●	●
	Spare wheel	●	●	●
STORAGE				
	Tyre rack	○	○	○

Race Sport



Overview

		340-4500	340-4510	340-5000	340-5010	340-5510
DIMENSIONS		dimensions in metres				
Bed width	A	2.0	2.0	2.0	2.0	2.1
Overall width	B	2.38	2.38	2.38	2.38	2.48
Bed length	C	4.5	4.5	5.0	5.0	5.5
Overall length	D	6.06	6.06	6.56	6.56	7.06
Bed height	E	0.43	0.43	0.43	0.43	0.43
Internal height	F	1.82	1.82	1.82	1.82	1.82
Door aperture height	G	1.77	1.77	1.77	1.77	1.77
CAPACITY		weight in kg				
Gross capacity		2,600	3,000	2,600	3,000	3,000
Load capacity		1,584	1,964	1,514	1,884	1,854

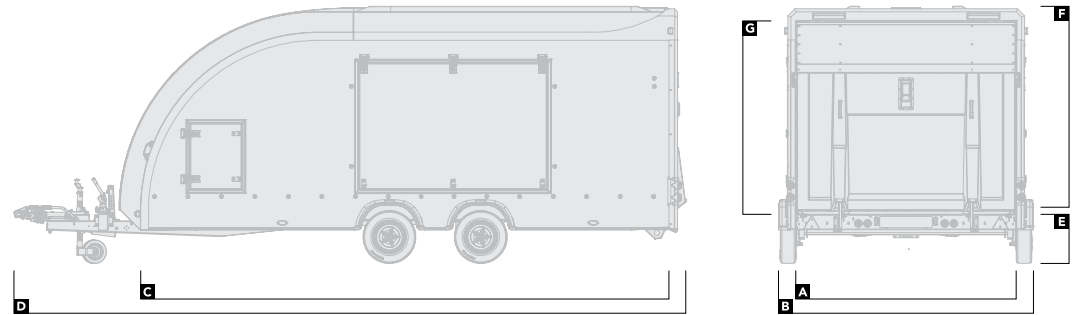
Load capacity will vary depending on options fitted -
For accurate information on weights and pricing, use our interactive configurator at www.brianjamestrailers.co.uk

Race Sport

Equipment

	340-4500	340-4510	340-5000	340-5010	340-5510
ACCESSORIES					
	● Standard ○ Option – Not available				
Rear-view camera	○	○	○	○	○
Reverse / Rear-view camera	○	○	○	○	○
DECK					
Slick pads x4	○	○	○	○	○
EXTERIOR					
Access hatches	●	●	●	●	●
Full LED lighting	○	○	○	○	○
Gullwing side doors	●	●	●	●	●
INTERIOR					
Interior LED lighting	○	○	○	○	○
LOADING					
Electric winch	○	○	○	○	○
Rear door ramp w/ 0.6m assistor ramps	●	●	●	●	●
Rear door ramp w/ 1.5m assistor ramps	○	○	○	○	○
Support stands	●	●	●	●	●
LOAD RESTRAINT					
Tie-down straps	○	○	○	○	○
Wheel chocks / Stop bar	○	○	○	○	○
RUNNING GEAR					
Alloy wheels - Silver or Anthracite	○	○	○	○	○
Spare wheel	●	●	●	●	●
Locking hitch	●	●	●	●	●
STORAGE					
Deck storage	–	–	–	–	●
Deck storage lid kit	–	–	–	–	○
Side storage racks	○	○	○	○	○
Store station	○	○	○	○	○
Tyre rack	○	○	○	○	○

Race Transporter 4



Overview

	384-0041	384-0060	384-1041	384-1060
Body colour	White	White	Black	Black

DIMENSIONS		dimensions in metres			
Bed width	A	2.12	2.12	2.12	2.12
Overall width	B	2.51	2.51	2.51	2.51
Bed length	C	4.85	5.35	4.85	5.35
Overall length	D	6.65	7.12	6.65	7.12
Bed height	E	0.48	0.48	0.48	0.48
Internal height	F	1.94	1.94	1.94	1.94
Door aperture height	G	1.88	1.88	1.88	1.88

CAPACITY		weight in kg			
Gross capacity		3,500	3,500	3,500	3,500
Load capacity		2,240	2,160	2,240	2,160

Load capacity will vary depending on options fitted -
For accurate information on weights and pricing, use our interactive configurator at www.brianjamestrailers.co.uk

Equipment

OPTION PACKS	● Standard ○ Option			
Lighting pack - includes: Full LED interior / exterior lights, reverse lights, loading lights & side reverse lights	○	○	○	○
Motorsport pack - includes: Assistor ramps, tyre rack, workbench & tie-down wheel straps	○	○	○	○
Storage pack - includes: Deck storage w/ lids, & side storage racks	○	○	○	○

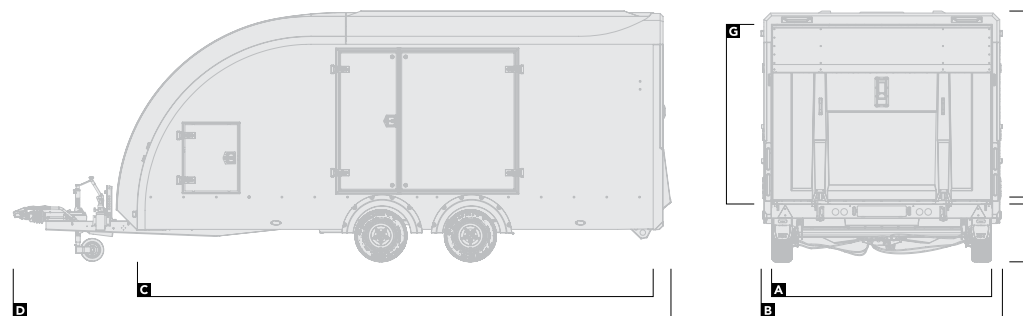
Race Transporter 4

Equipment cont.

	384-0041	384-0060	384-1041	384-1060
ACCESSORIES	● Standard ○ Option			
Hand wash station	○	○	○	○
Paper towel dispenser	○	○	○	○
360° camera	○	○	○	○
Rear-view camera	○	○	○	○
Reverse / Rear-view camera	○	○	○	○
Solar panel	○	○	○	○
DECK				
Slick pads x4	○	○	○	○
EXTERIOR				
Access hatches	●	●	●	●
Gullwing side doors	●	●	●	●
LIGHTING - EXTERIOR				
Full LED lighting	○	○	○	○
Loading lights	○	○	○	○
Reverse lights	○	○	○	○
LIGHTING - INTERIOR				
3x LED light strips	○	○	○	○
LED flood lights	○	○	○	○
LOADING				
Battery w/ charger	●	●	●	●
Electric winch	●	●	●	●
Manual tilt-bed	●	●	●	●
Rear door / ramp	●	●	●	●
Assistor ramps	○	○	○	○
Support stands	●	●	●	●
LOAD RESTRAINT				
Tie-down straps	○	○	○	○
Wheel chocks / Stop bar	○	○	○	○
RUNNING GEAR				
Alloy wheels - Silver or Anthracite	○	○	○	○
Locking hitch	●	●	●	●
Spare wheel	●	●	●	●
STORAGE				
Deck storage	○	○	○	○
Deck storage lids	○	○	○	○
Side storage racks	○	○	○	○
Store station	○	○	○	○
Tyre rack / Workbench / Work Vice	○	○	○	○

Race Transporter 5

Overview



	385-1090	385-1100	385-2090	385-2100
Body colour	White	White	Black	Black

DIMENSIONS		dimensions in metres			
Bed width	A	2.12	2.12	2.12	2.12
Overall width	B	2.5	2.5	2.5	2.5
Bed length	C	4.85	5.35	4.85	5.35
Overall length	D	6.65	7.12	6.65	7.12
Bed height	E	0.48	0.48	0.48	0.48
Internal height	F	1.94	1.94	1.94	1.94
Door aperture height	G	1.88	1.88	1.88	1.88

CAPACITY		weight in kg			
Gross capacity		3,500	3,500	3,500	3,500
Load capacity		2,210	2,146	2,210	2,140

Load capacity will vary depending on options fitted -
For accurate information on weights and pricing, use our interactive configurator at www.brianjamestrailers.co.uk

Equipment

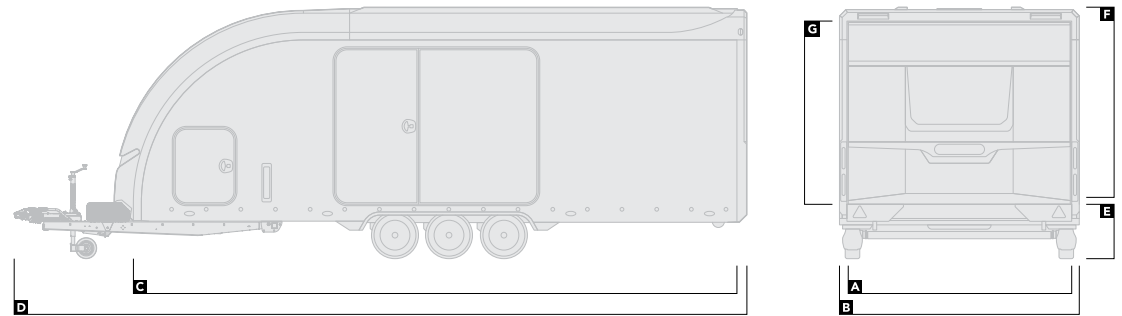
OPTION PACKS	● Standard ○ Option			
Lighting pack - includes: Full LED interior / exterior lights, reverse lights, loading lights & side reverse lights	○	○	○	○
Motorsport pack - includes: Assistor ramps, tyre rack & workbench	○	○	○	○

Race Transporter 5

Equipment cont.

	385-1090	385-1100	385-2090	385-2100
ACCESSORIES			● Standard ○ Option	
Hand wash station	○	○	○	○
Paper towel dispenser	○	○	○	○
360° camera	○	○	○	○
Rear-view camera	○	○	○	○
Reverse / Rear-view camera	○	○	○	○
Solar panel	○	○	○	○
DECK				
Slick pads x4	○	○	○	○
EXTERIOR				
Access hatches	●	●	●	●
Split side doors	●	●	●	●
LIGHTING - EXTERIOR				
Full LED lighting	●	●	●	●
Loading lights	○	○	○	○
Reverse lights	○	○	○	○
LIGHTING - INTERIOR				
3x LED light strips	●	●	●	●
LED flood lights	○	○	○	○
LOADING				
Battery w/ charger	●	●	●	●
Electric winch	●	●	●	●
Electric winch wireless remote	○	○	○	○
Manual tilt-bed	●	●	●	●
Rear door / ramp	●	●	●	●
Assistor ramps	○	○	○	○
LOAD RESTRAINT				
Tie-down straps	●	●	●	●
Wheel chocks / Stop bar	●	●	●	●
RUNNING GEAR				
Alloy wheels - Silver or Anthracite	○	○	○	○
Locking hitch	●	●	●	●
Spare wheel	●	●	●	●
STORAGE				
Deck storage w/ aluminium lids	●	●	●	●
Side storage racks	○	○	○	○
Store station	○	○	○	○
Tyre rack / Workbench / Vice	○	○	○	○

Race Transporter 7



Overview

	397-									
	5521-35-2-12-B	5521-35-2-12-W	5521-35-3-10-B	5521-35-3-10-W	5523-35-2-12-B	5523-35-2-12-W	5523-35-3-10-B	5523-35-3-10-W	6023-35-2-12-B	6023-35-2-12-W
Body colour	Black	White	Black	White	Black	White	Black	White	Black	White

DIMENSIONS		dimensions in metres									
Bed width	A	2.12	2.12	2.12	2.12	2.3	2.3	2.3	2.3	2.3	2.3
Overall width	B	2.38	2.38	2.38	2.38	2.55	2.55	2.55	2.55	2.55	2.55
Bed length	C	5.66	5.66	5.66	5.66	5.66	5.66	5.66	5.66	6.16	6.16
Overall length	D	7.43	7.43	7.43	7.43	7.43	7.43	7.43	7.43	7.93	7.93
Bed height	E	0.63	0.63	0.61	0.61	0.63	0.63	0.61	0.61	0.63	0.63
Internal height	F	1.94	1.94	1.94	1.94	1.94	1.94	1.94	1.94	1.94	1.94
Door aperture height	G	1.88	1.88	1.88	1.88	1.88	1.88	1.88	1.88	1.88	1.88

CAPACITY		weight in kg									
Gross capacity		3,500	3,500	3,500	3,500	3,500	3,500	3,500	3,500	3,500	3,500
Load capacity		2,208	2,208	2,148	2,148	2,178	2,178	2,103	2,103	2,118	2,118

	6023-35-3-10-B	6023-35-3-10-W
Body colour	Black	White

DIMENSIONS cont.		dimensions in metres	
Bed width	A	2.3	2.3
Overall width	B	2.55	2.55
Bed length	C	6.16	6.16
Overall length	D	7.93	7.93
Bed height	E	0.61	0.61
Internal height	F	1.94	1.94
Door aperture height	G	1.88	1.88

CAPACITY cont.		weight in kg	
Gross capacity		3,500	3,500
Load capacity		2,053	2,053

Load capacity will vary depending on options fitted - For accurate information on weights and pricing, use our interactive configurator at www.brianjamestrailers.co.uk

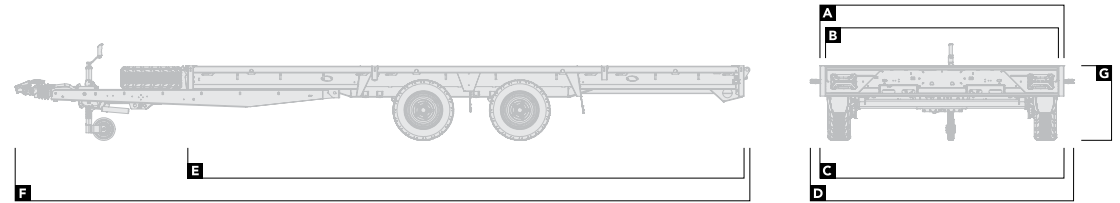
Race Transporter 7

Equipment cont.

	397-	
	6023-35-3-10-B	6023-35-3-10-W
	● Standard	○ Option
ACCESSORIES		
Awning - available as LH, RH & both	○	○
Mains power unit	○	○
360° camera	○	○
Rear-view camera	○	○
Reverse / Rear-view camera	○	○
Solar panel	○	○
DECK		
Lightweight 'Scaffodeck' floor	●	●
Heavy-duty steel deck pads	●	●
EXTERIOR		
Additional height (+220mm)	○	○
Front access hatches	●	●
Split side doors	●	●
LIGHTING - EXTERIOR		
Flashing side marker lights	○	○
Full LED lighting	●	●
Loading lights	●	●
Reverse lights	●	●
LIGHTING - INTERIOR		
Full LED lighting	●	●
LOADING		
Battery w/ charger	●	●
Electric tilt-bed	●	●
Electric rear door / ramp	●	●
Assistor ramps	○	○
Race ramps	○	○
Electric winch	●	●
Heavy-duty electric winch	○	○
LOAD RESTRAINT		
Tie-down straps	●	●
Wheel chocks / Stop bar	●	●
RUNNING GEAR		
Alloy wheels - Silver or Anthracite	●	●
Spare wheel w/ cover	●	●
Additional spare wheel w/ cover	○	○
Locking hitch	●	●
STORAGE		
Deck storage	●	●
Store station	○	○
Tyre rack / Workbench / Vice	○	○

Connect

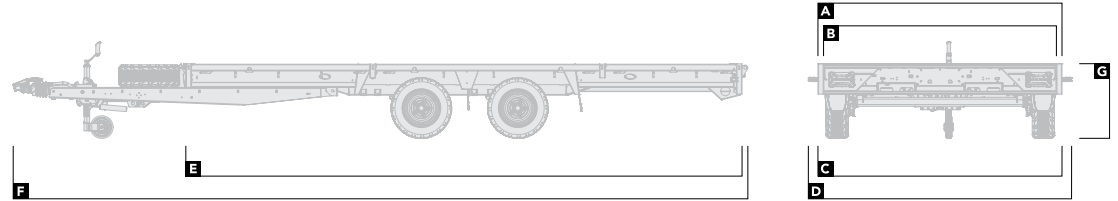
Overview



		476-									
		2718-26-2-13	2718-30-2-10	3118-26-2-13	3118-30-2-10	3618-26-2-13	3618-30-2-10	3620-35-2-12	3621-35-2-12	4020-35-2-12	4021-35-2-12
DIMENSIONS		dimensions in metres									
Bed width (excl. sides)	A	1.88	1.88	1.88	1.88	1.88	1.88	1.92	2.13	1.92	2.13
Bed width (inc. sides)	B	1.78	1.78	1.78	1.78	1.78	1.78	1.82	2.03	1.82	2.03
Overall width (excl. marker lamp)	C	1.9	1.9	1.9	1.9	1.9	1.9	2.01	2.15	2.01	2.15
Overall width (inc. marker lamp)	D	-	-	-	-	-	-	2.18	2.32	2.18	2.32
Bed length	E	2.77	2.77	3.17	3.17	3.67	3.67	3.67	3.67	4.07	4.07
Overall length	F	4.29	4.34	4.69	4.74	5.19	5.24	5.27	5.27	5.67	5.94
Bed height	G	0.7	0.59	0.7	0.59	0.7	0.59	0.65	0.65	0.65	0.65
CAPACITY		weight in kg									
Gross capacity		2,600	3,000	2,600	3,000	2,600	3,000	3,500	3,500	3,500	3,500
Load capacity		2,055	2,450	2,030	2,425	2,005	2,400	2,825	2,805	2,785	2,755
		4521-35-3-10	4521-35-2-12	5021-35-3-10	5021-35-2-12	5021-35-3-12	5022-35-3-10	5022-35-2-12	5022-35-3-12	5521-35-3-10	5521-35-2-12
DIMENSIONS		dimensions in metres									
Bed width (excl. sides)	A	2.13	2.13	2.13	2.13	2.13	2.27	2.27	2.27	2.13	2.13
Bed width (inc. sides)	B	2.03	2.03	2.03	2.03	2.03	2.17	2.17	2.17	2.03	2.03
Overall width (excl. marker lamp)	C	2.15	2.15	2.15	2.15	2.15	2.29	2.29	2.29	2.15	2.15
Overall width (inc. marker lamp)	D	2.32	2.32	2.32	2.32	2.32	2.46	2.46	2.46	2.32	2.32
Bed length	E	4.59	4.59	5.07	5.07	5.07	5.07	5.07	5.07	5.57	5.57
Overall length	F	6.13	6.13	6.58	6.58	6.58	6.58	6.58	6.58	7.17	7.17
Bed height	G	0.59	0.65	0.59	0.65	0.59	0.59	0.65	0.65	0.59	0.65
CAPACITY		weight in kg									
Gross capacity		3,500	3,500	3,500	3,500	3,500	3,500	3,500	3,500	3,500	3,500
Load capacity		2,665	2,725	2,635	2,695	2,625	2,605	2,665	2,595	2,605	2,665

Load capacity will vary depending on options fitted - For accurate information on weights and pricing, use our interactive configurator at www.brianjamestrailers.co.uk

Connect



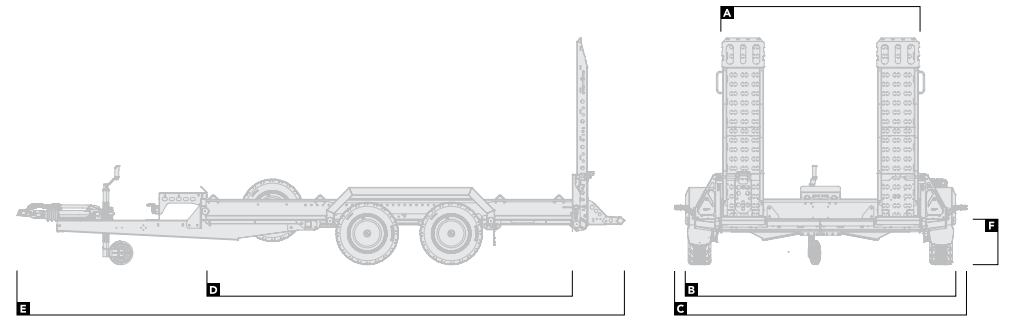
Overview cont.

		476-						
		5521-35-3-12	5522-35-3-10	5522-35-2-12	5522-35-3-12	5524-35-3-12	6022-35-3-12	6024-35-3-12
DIMENSIONS		dimensions in metres						
Bed width (excl. sides)	A	2.13	2.27	2.27	2.27	2.41	2.27	2.41
Bed width (inc. sides)	B	2.03	2.17	2.17	2.17	2.31	2.17	2.31
Overall width (excl. marker lamp)	C	2.15	2.29	2.29	2.29	2.43	2.29	2.43
Overall width (inc. marker lamp)	D	2.32	2.46	2.46	2.46	2.6	2.46	2.6
Bed length	E	5.57	5.57	5.57	5.57	5.57	6.09	6.09
Overall length	F	7.17	7.17	7.17	7.17	7.17	7.63	7.63
Bed height	G	0.65	0.59	0.65	0.65	0.65	0.65	0.65
CAPACITY		weight in kg						
Gross capacity		3,500	3,500	3,500	3,500	3,500	3,500	3,500
Load capacity		2,595	2,575	2,635	2,565	2,535	2,535	2,505

Load capacity will vary depending on options fitted - For accurate information on weights and pricing, use our interactive configurator at www.brianjamestrailers.co.uk

Digger Plant

Overview



		543-	2813-27-2-13	2813-35-2-12	3217-35-2-12	3717-35-2-12
DIMENSIONS		dimensions in metres				
Bed width	A	1.3	1.3	1.3	1.7	1.7
Overall width (excl. marker lamp)	B	1.78	1.78	1.78	2.32	2.32
Overall width (inc. marker lamp)	C	-	-	-	2.5	2.5
Bed length	D	2.8	2.8	2.8	3.2	3.7
Overall length	E	4.65	4.65	4.65	5.2	5.7
Bed height	F	0.38	0.4	0.4	0.4	0.4
CAPACITY		weight in kg				
Gross capacity		2,700	3,500	3,500	3,500	3,500
Load capacity		2,143	2,910	2,814	2,814	2,769

Load capacity will vary depending on options fitted -
 For accurate information on weights and pricing, use our interactive configurator at www.brianjamestrailers.co.uk

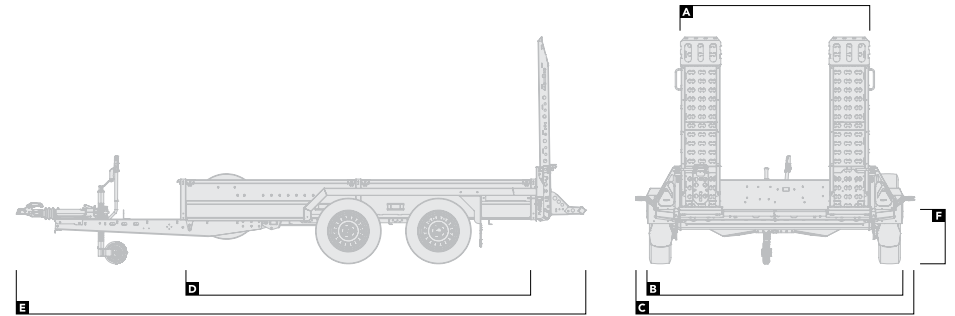
Digger Plant

Equipment

	543-	2813-35-2-12	3217-35-2-12	3717-35-2-12
EXTERIOR			● Standard ○ Option	
Full exterior LED lighting	●	●	●	●
LOADING				
Adjustable loading ramps - 1.62m	●	●	●	●
Twin ramp loading panel - 1.62m	○	○	○	○
Heavy-duty loading panel - 1.7m	○	○	○	○
Chapter 8 chevrons	○	○	○	○
Manual / Electric winch	○	○	○	○
LOAD RESTRAINT				
Bucket locker	○	○	○	○
Bucket rest	●	●	●	●
Digger arm lock	○	○	○	○
Tie-down straps	○	○	○	○
TracStrap	○	○	○	○
Heavy-duty TracStrap	○	○	○	○
Wheel chocks / Stop bar	○	○	○	○
RUNNING GEAR				
Eye coupling	○	○	○	○
Locking hitch	●	●	●	●
Spare wheel	●	●	●	●

General Plant

Overview

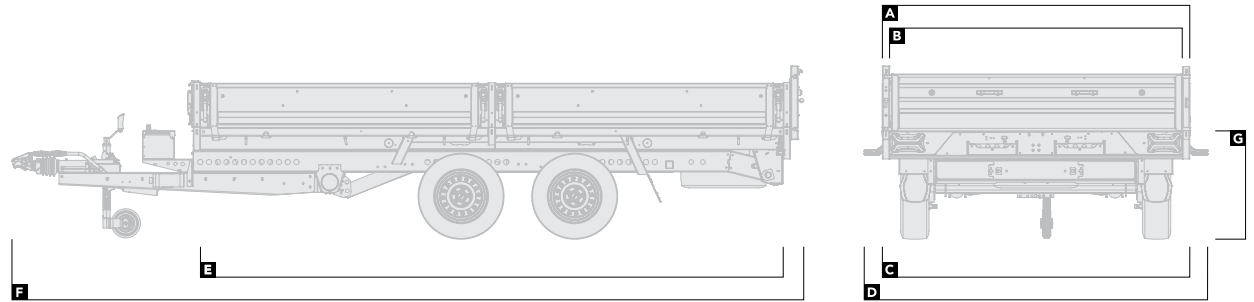


		551-	2713-27-2-13	2716-27-2-13	3116-27-2-13	3117-35-2-13	3617-35-2-13	3618-35-3-12	4017-35-2-13	4018-35-3-12
DIMENSIONS		dimensions in metres								
Bed width	A	1.3	1.6	1.6	1.7	1.7	1.8	1.7	1.8	
Overall width (excl. marker lamp)	B	1.91	2.21	2.21	2.31	2.31	2.41	2.31	2.41	
Overall width (inc. marker lamp)	C	-	2.4	2.4	2.5	2.5	2.6	2.5	2.6	
Bed length	D	2.8	2.8	3.2	3.2	3.7	3.7	4.1	4.1	
Overall length	E	4.4	4.4	4.8	4.8	5.3	5.3	5.7	5.7	
Bed height	F	0.45	0.45	0.45	0.43	0.43	0.43	0.43	0.43	
CAPACITY		weight in kg								
Gross capacity		2,700	2,700	2,700	3,500	3,500	3,500	3,500	3,500	
Load capacity		2,113	2,063	2,031	2,766	2,717	2,646	2,698	2,623	

Load capacity will vary depending on options fitted - For accurate information on weights and pricing, use our interactive configurator at www.brianjamestrailers.co.uk

Tipper

Overview



		526-								
		2716-27-2-12	2716-27-2-13	3116-27-2-12	3116-27-2-13	3116-35-2-12	3620-35-2-12	3620-35-3-12	4020-35-2-12	4020-35-3-12
DIMENSIONS		dimensions in metres								
Bed width (excl. sides)	A	1.69	1.69	1.69	1.69	1.69	2.09	2.09	2.09	2.09
Bed width (inc. sides)	B	1.6	1.6	1.6	1.6	1.6	2.0	2.0	2.0	2.0
Overall width (excl. marker lamp)	C	1.71	1.71	1.71	1.71	1.71	2.11	2.11	2.11	2.11
Overall width (inc. marker lamp)	D	-	-	-	-	-	2.34	2.34	2.34	2.34
Bed length	E	2.8	2.8	3.2	3.2	3.2	3.7	3.7	4.1	4.1
Overall length	F	4.13	4.13	4.53	4.53	4.53	5.03	5.03	5.43	5.43
Bed height	G	0.71	0.73	0.71	0.73	0.73	0.73	0.71	0.73	0.71
CAPACITY		weight in kg								
Gross capacity		2,700	2,700	2,700	2,700	3,500	3,500	3,500	3,500	3,500
Load capacity		1,920	1,920	1,830	1,830	2,495	2,361	2,328	2,370	2,300

Load capacity will vary depending on options fitted - For accurate information on weights and pricing, use our interactive configurator at www.brianjamestrailers.co.uk

